



Apollo Carmix Self-loading Mixers

# FX Series

[23FX, 28FX & 45FX]

**ENGINEERED FOR  
RUGGED TERRAINS**



**CEV** Stage  
Compliant **IV**



Apollo Carmix Self-loading Mixers  
**23 FX, 28 FX & 45 FX**

## >>>Salient Features

- Capacity : 2.3m<sup>3</sup>, 2.8m<sup>3</sup> & 4.5 m<sup>3</sup> per batch
- Concrete Output : 90-95% of the rated capacity (Considering 1 cum = 2400 kg. MAX) Slump S1
- Operation is user-friendly
- Ideal solution, whenever and wherever small quantity of concrete is required
- Self-Articulated hydraulically operated shovel for a more accurate loading of aggregates and cement
- Discharging chute with hydraulic slewing and hydraulic tilting
- High pressure washing system for better cleaning
- Fully balanced equipment
- Oil-bath built-in disc brakes: no maintenance at all and total reliability
- Electronic weighing system to certify 100% quality of concrete
- Compact & economic
- Low Maintenance Cost
- High pressure water pump
- 4 Wheel drive and 4 Wheel steer
- Electronic weighing system with printer
- Efficient and reliable after-sales service
- Apollo Carmix selects the best suppliers in order to assure its customers not only with top quality but also their best after-sale network.

## Optional

- Load Cell System [Only in 45 FX]
- Additive Tank
- IOT device Vehicle Health Monitoring System
- Rear view Camera
- Electrical High Pressure Washing System

**EASY & ECONOMICAL  
CONCRETE ANYWHERE**

## >>>Remote-controlled IOT Device with Smart Vehicle Health Monitoring System



Hydraulic shutter gate to avoid spillage & better loading.



Electrical high pressure washing system for better cleaning of the machine.



Rear view camera and display for better visibility of the rear portion.

**SELF LOADING MIXER**

- Swivelable driver post with 180° for complete visibility during driving as well as complete visibility for loading side during weighing & batching, mixing and discharge operations.
- Self articulated hydraulically Operated shovel with gate for managing excessive material & accurate loading
- Hydraulically operated discharging chute
- Washing system for better cleaning
- Oil-Bath Built-in Disc Breaks : No maintenance at all and total reliability
- Electronic Weighing system for more accuracy to certify 100% quality Concrete

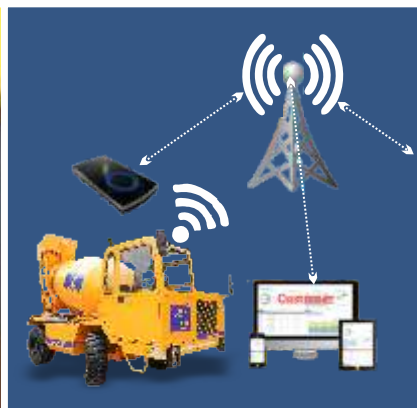


Fully Loaded Bucket

CUTTING - EDGE TECHNOLOGY : ENGINEERED FOR RUGGED TERRAINS



Height and inclination angle adjustable Ecomatic Panel, comfortable for operator.



Remote control IOT device with smart vehicle health monitoring system for better updation.



Easily accessible engine compared to various other mixers available in the market.



Electronic weighing system cum printer to get quality concrete as per mix design.



Double helical arrangement with low inclination of drum for better mixing.

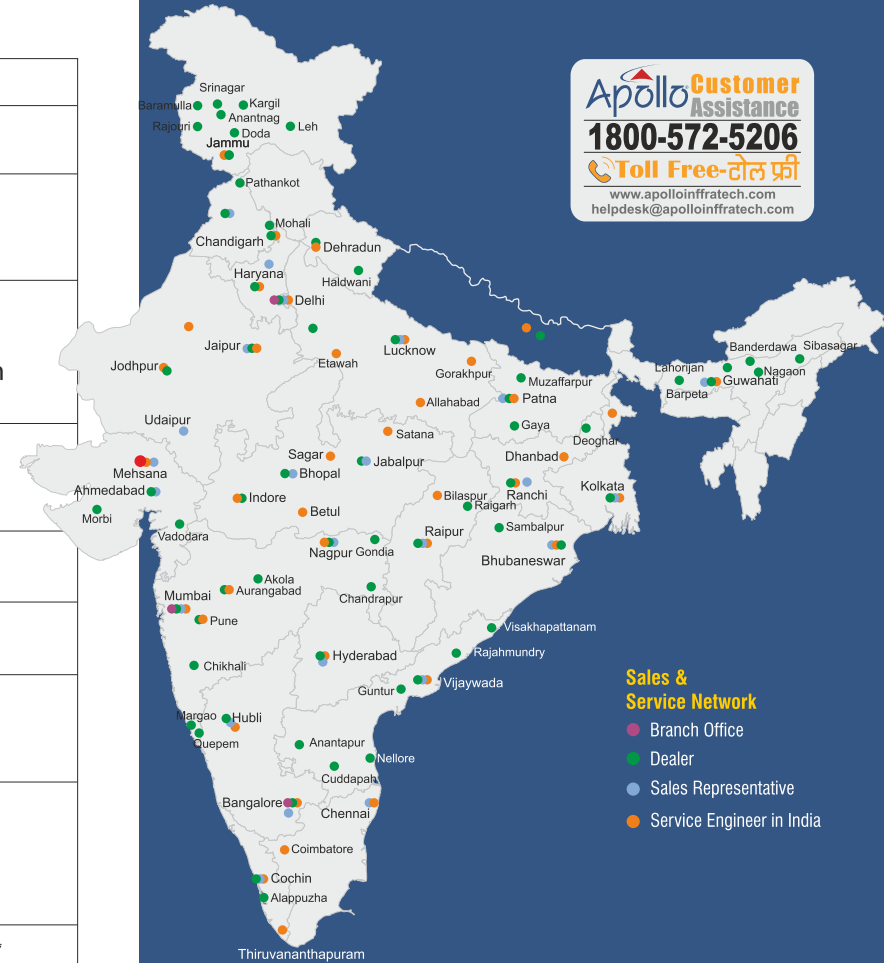


# Apollo Carmix Self-loading Mixers

## 23 FX, 28 FX & 45 FX

# SALES & SERVICE NETWORK

**Apollo Customer Assistance**  
**1800-572-5206**  
**Toll Free-टोल फ्री**  
[www.apolloinfratech.com](http://www.apolloinfratech.com)  
[helpdesk@apolloinfratech.com](mailto:helpdesk@apolloinfratech.com)



Design: naamcomm@gmail.com\_Aug\_23



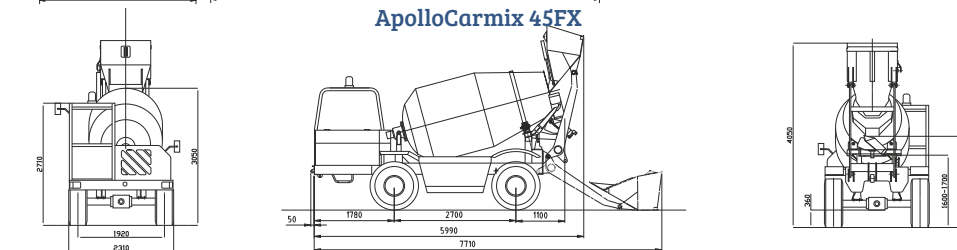
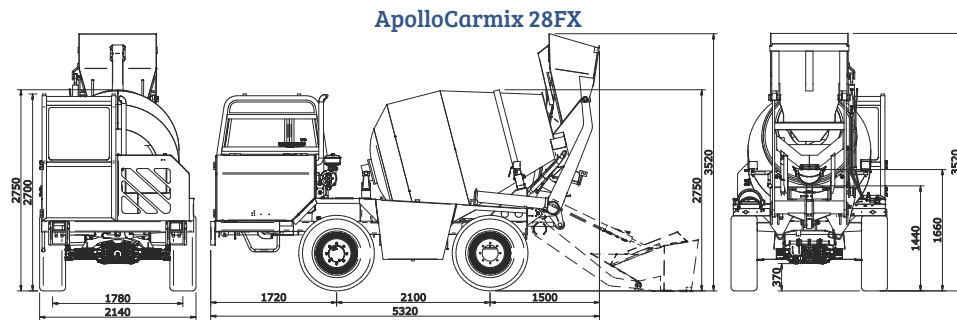
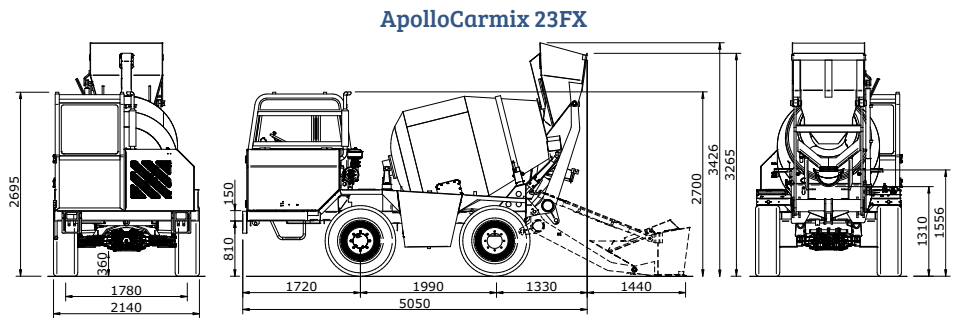
Apollo Carmix Equipments Private Limited(ACEPL)  
 ( An Apollo Infratech Group Company )  
 Ahmedabad-Mehsana State Highway,  
 Village : Rajpur 382 715, Dist. : Mehsana, Gujarat, India.  
 Phone : +91- 99100 52391 | +91- 90991 44644  
 Email : [info@apollocarmix.com](mailto:info@apollocarmix.com) | Website : [www.apollocarmix.com](http://www.apollocarmix.com)

Model	23 FX	28 FX	45 FX
<b>CHASSIS</b>	Steel profile specially engineered for off-road		
<b>MIXING UNIT</b>	Concrete output @90 to 95% of the rated capacity		
Drum Volume	3000 ltrs.	3820 ltrs.	6100 ltrs.
Capacity per batch	2.3 Cu.M.	2.8 Cu.M	4.5 Cu.M
<b>ENGINE</b>	Mahindra & Mahindra		
Model	VNEF49	MCVNC35TI074CE4A	Kirloskar Oil Ltd.
Ratings	49 HP@2200 rpm BS-III, Water cooled.	74 HP@2200 rpm BS-IV, CRDI Technology, Water cooled.	4R 1190 TA 110 HP@2200 rpm
<b>SPEED</b>	Electric Servo Control		
Working Speed	0 to 10 Kms/hr	0 to 10 Kms/hr	0 to 9 Kms/hr
Road Transfer	0 to 27 Kms/hr	0 to 27 Kms/hr	0 to 26 Kms/hr
<b>LOADING SHOVEL</b>	400 ltrs	400 ltrs	600 ltrs
<b>TYRES</b>	Off Road Type		
Size	12.5-20 PR 12	12.5-20 PR 12	16/70-20 PR 16
<b>STEERING</b>	Hydraulic. 3 Way.		
Radius (external)	4450 mm	4450 mm	4800 mm
<b>TANKS</b>	Capacities		
Water	2x225 ltrs	2x275 ltrs	2x580 ltrs
Diesel	95 ltrs	95 ltrs	130 ltrs
Hydraulic Oil	70 ltrs	70 ltrs	80 ltrs
<b>WEIGHT</b>	Equally distributed on both axles		
5600 Kgs.	5600 Kgs.	5700 Kgs.	7640 Kgs.
<b>ELECTRIC SYSTEM</b>	12 Volt. 150 Ah   12 Volt. 180 Ah   12 Volt. 180 Ah battery for electric starter and road lighting. Safety battery cut-off.		
<b>CHUTE</b>	Slewing and hydraulically tilting		
<b>WATER SYSTEM</b>	Self contained Water Pump, Water Meter, Washing Outlet.		
<b>GRADIENT</b>	Fully loaded 30% (16-18 degrees)		
<b>DRIVING SEAT</b>	Reversible seat with automatic inversion of hydraulic steering circuit		

- With Apollo's policy of constant upgradation of products, specifications are subject to change without prior notice.
- Accessories shown here are optional and not the part of standard supply.

## ABOUT CARMIX

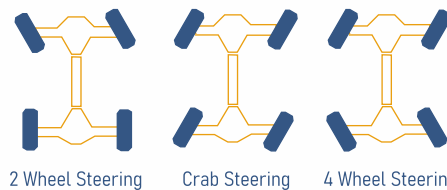
CARMIX background comes in fact from CARMAN the Company that in the early sixties started assembling parts and components supplied from old military and agricultural vehicles. Many years and millions of cubic meters of concrete later, CARMIX customers are enjoying the world's best self-independent Self-loading Mixers. CARMIX Self-loading Mixers are easy-to-operate and cost-effective equipment. They are an ideal solution to produce and distribute the concrete in the most difficult job-sites as well as in the most congested areas like in the middle of cities or in the most remote Island in the Pacific. We can proudly say that everywhere CARMIX is synonymous of 4x4 Self-Loading Concrete Mixers that's because our guarantee is, since always a continue innovation along with maximum quality and unmatched reliability. Furthermore Metalgalante is continuously revolutionizing the "mixer-concept": drum slewing 270°, the front cab, the hydraulically closed shovel, the Joymix, the electronic weighing system and other smart innovations were all born at the Home of CARMIX.



World's Best 4x4 Concrete Mixer



Three Way Steering System (4X4X4)



- HIGH PRODUCTIVITY
- FASTER LOADING
- QUALITY CONCRETE