



World's Best 4x4 Concrete Mixers

CEV Stage
Compliant **IV**

ARAI
Proposed through Revision
Certified can be
registered with RTO

Apollo Carmix Self-loading Mixers

Model : 4TT



Apollo Carmix Self-loading Mixers

4TT

EASY & ECONOMICAL CONCRETE ANYWHERE

>>>Salient Features

- Capacity : 4 m³ per batch
Concrete Output : 85- 90% of the rated capacity.
(Considering 1 cum = 2400 kg. MAX) Slump S1
Operation is user-friendly
- Front driving cab to assure perfect visibility and excellent comfort to the operator
- Self-Articulated hydraulically operated shovel for a more accurate loading of aggregates and cement
- Discharging chute with hydraulic slewing and hydraulic tilting
- High pressure washing system for better cleaning
- Rear engine : easy checks. Fully balanced equipment
- Oil-bath built-in disc brakes: no maintenance at all and total reliability
- Electronic weighing system "Load Cell" acting on the drum to certify 100% quality of concrete
- Compact & economic
- Low Maintenance Cost
- High pressure water pump
- 4 Wheel drive and 4 Wheel steer
- Electronic weighing system with printer
- Efficient and reliable after-sales service
- Ideal solution, whenever & wherever small quantity of concrete is required
- Apollo Carmix selects the best suppliers in order to assure its customers not only with top quality but also their best after-sale network.

OPTIONAL

- Load Weighing System
- Additive System
- IOT device Vehicle Health Monitoring System
- Rear view Camera
- Electrical High Pressure Washing System

EASY & ECONOMICAL
CONCRETE ANYWHERE

>>>Remote-controlled IOT Device with Smart Vehicle Health Monitoring System



Management, quality and operating-cost control from a remote-control device through Internet portal and smartphone app (IOT).

A web-based control system (IOT device) also available on smartphone app, Working in cloud. Benefits: Accurate monitoring of production and product quality and perfect control of operating cost, monitoring your operator, health monitoring of the machine and many more advantage such as...

- Location on running as well as at parked state.
- Speed Monitoring.
- Fuel Level Consumption & Mileage.
- KM estimation w.r.t. & fuel available.
- Engine run hours & vehicle usage
- Batch productivity & composition.
- All pre-audit services notification - Due Vs Done
- Service due call alert - phone call.
- Call alert information of any services due.
- Birthday and anniversary wish notification.
- Insurance validity advance notification.



Double helical arrangement with low inclination of drum for better mixing.



Electrical high pressure washing system for better cleaning of the machine.



Rear view camera and display for better visibility of the rear portion.



Innovative a digital technology advanced Loadcell weighing system – for a perfect certified mix design

- 4 electronic Load Cells at the bottom of the drum allow to dose and verify instantly all the aggregates loaded inside the drum along with admixture & water.
- Integrated batching controller with inbuilt printer: for all raw materials batching option with water and admixture.
- 9 programmable different recipe elements.
- Integrated thermal printer for report printing and 5 different reports.
- Weight correction at tip off position.
- Date storage up to 9999 reports and can be exported through USB drive.
- 9 different user logins can be configured with password protection.
- All data can be saved on a pen drive.



CUTTING - EDGE TECHNOLOGY : ENGINEERED FOR RUGGED TERRAINS



Height and inclination angle adjustable Ecomatric Panel, comfortable for operator.

270° Drum Rotation to discharge concrete on all 4 sides of the machine.

Joystick Operation for all main functions of loader for operators ease.

Electronic weighing system cum printer to get quality concrete as per mix design.

Hydraulic shutter gate to avoid spillage & better loading.



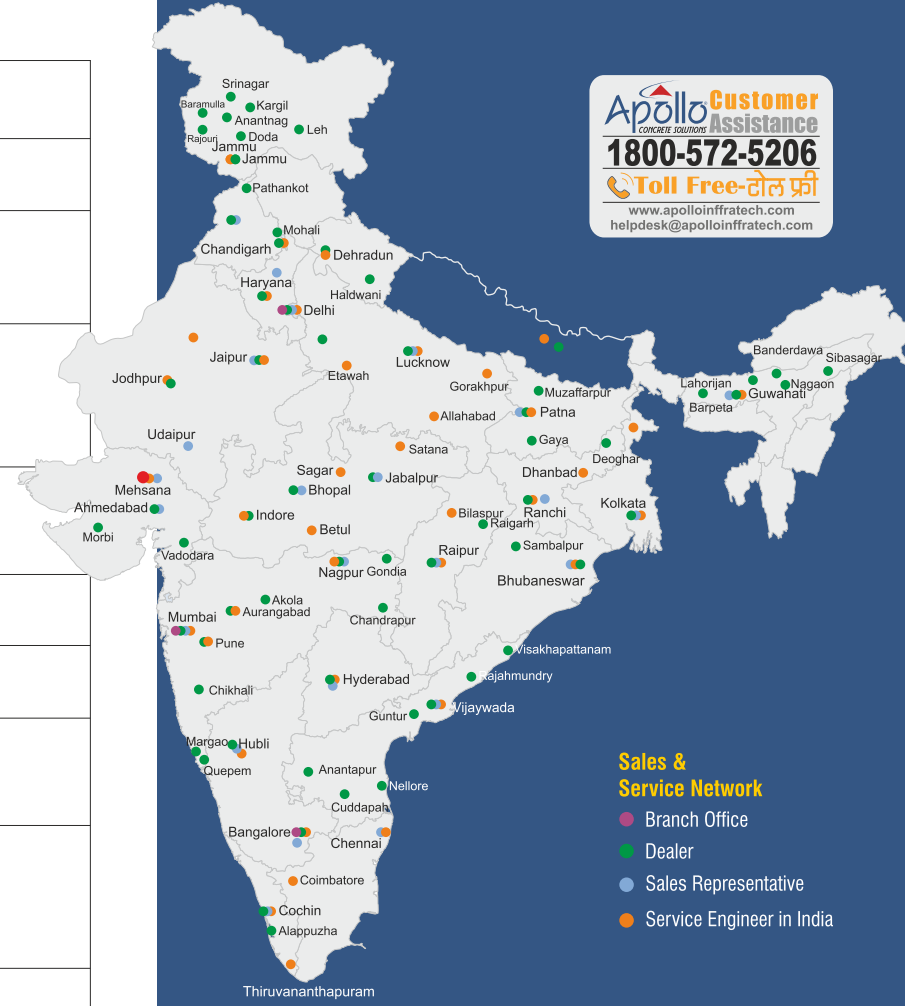
Apollo Carmix Self-loading Mixers

4TT

	MODEL >>>	4TT
	CHASSIS	Steel profile specially engineered for off-road operations
	MIXING UNIT	Concrete Output Drum Volume Capacity per batch 4.0 Cu.M (Concrete output @85 to 90% of the rated capacity)
	ENGINE	Kirloskar Oil Ltd. Model Ratings 4R 1190 TA BS-IV, CRDI Technology 110 HP@2200 rpm Water cooled, Turbo Charged
	SPEED	Electric Servo Control Working Speed Road Transfer 0 to 9 Kms/hr 0 to 26 Kms/hr
	LOADING SHOVEL	600 ltrs with hydraulically operated shutter gate
	TYRES	Off Road Type Size 16/70-20 PR 16
	STEERING	Hydraulic. 3 Way. Radius (internal) Radius (external) 1800 mm 3850 mm
	TANKS	Capacities Water Diesel Hydraulic Oil 2x400 ltrs 115 ltrs 80 ltrs
	WEIGHT	Equally distributed on both axles 7785 Kgs.
	ELECTRIC SYSTEM	12 Volt. 180 Ah battery for electric starter and road lighting. Safety battery cut-off.
	CHUTE	Slewing and hydraulically tilting
	WATER SYSTEM	Self contained Water Pump, Water Meter, Washing Outlet.
	GRADIENT	Fully loaded 30% (16-17 degrees)
	DRIVING SEAT	Front Cabin on loading shovel-side. ROPS-FOPS cabin with double closing door
	JOY STICK OPERATION	All hydraulic functions of shovel controlled by a single fully servo

• With Apollo's policy of constant upgradation of products, specifications are subject to change without prior notice.
• Accessories shown here are optional and not the part of standard supply.

SALES & SERVICE NETWORK



Apollo Customer Assistance
 1800-572-5206
 Toll Free-टोल फ्री
 www.apolloinfratech.com
 helpdesk@apolloinfratech.com

Sales & Service Network

- Branch Office
- Dealer
- Sales Representative
- Service Engineer in India



Design: naamcomm@gmail.com_may_23

Apollo Carmix Equipments Private Limited(ACEPL)
 (An Apollo Infratech Group Company)
 Ahmedabad-Mehsana State Highway,
 Village : Rajpur 382 715, Dist. : Mehsana, Gujarat, India.
 Phone : +91- 99100 52391 | +91- 90991 44644
 Email : info@apollocarmix.com | Website : www.apollocarmix.com

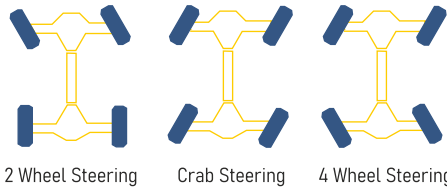
ABOUT CARMIX

CARMIX background comes in fact from CARMAN the Company that in the early sixties started assembling parts and components supplied from old military and agricultural vehicles. Many years and millions of cubic meters of concrete later, CARMIX customers are enjoying the world's best self-independent Self-loading Mixers. CARMIX Self-loading Mixers are easy-to-operate and cost-effective equipment. They are an ideal solution to produce and distribute the concrete in the most difficult job-sites as well as in the most congested areas like in the middle of cities or in the most remote Island in the Pacific. We can proudly say that everywhere CARMIX is synonymous of 4x4 Self-Loading Concrete Mixers that's because our guarantee is, since always a continue innovation along with maximum quality and unmatched reliability. Furthermore Metalgalante is continuously revolutionizing the "mixer-concept": drum slewing 270°, the front cab, the hydraulically closed shovel, the Joymix, the electronic weighing system and other smart innovations were all born at the Home of CARMIX.



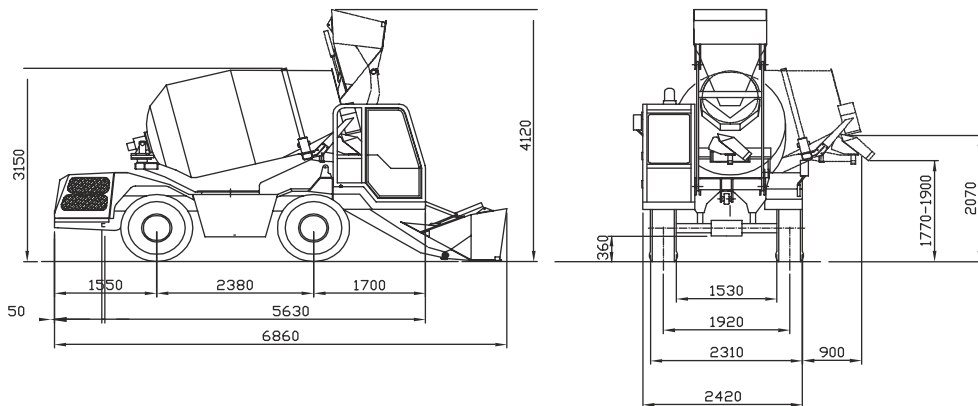
270° Drum Rotation Self-loading

Three Way Steering System (4X4X4)



- **HIGH PRODUCTIVITY**
- **FASTER LOADING**
- **QUALITY CONCRETE**

ApolloCarmix 4TT



**ENGINEERED FOR
RUGGED TERRAINS**